



# YOSHIMURA

RESEARCH&DEVELOPMENT OF AMERICA, INC.

5420 DANIELS STREET STE A, CHINO CA., 91710 · (800) 634-9166 · (909) 628-4722 · FACSIMILE (909) 591-2198

[www.yoshimura-rd.com](http://www.yoshimura-rd.com)

## **SIGNATURE SERIES**

### **SUZUKI DR-Z400 SM**

**116600D220 (CF/CF)**

**116600D320 (SS/AL)**

### **RS4 Stainless Steel Full-System**



Signature Series systems are:

- CARB/EPA tail-pipe emissions compliant.
- Marked with appropriate EPA noise labels.
- Independent laboratory tested for EPA new vehicle noise compliance.

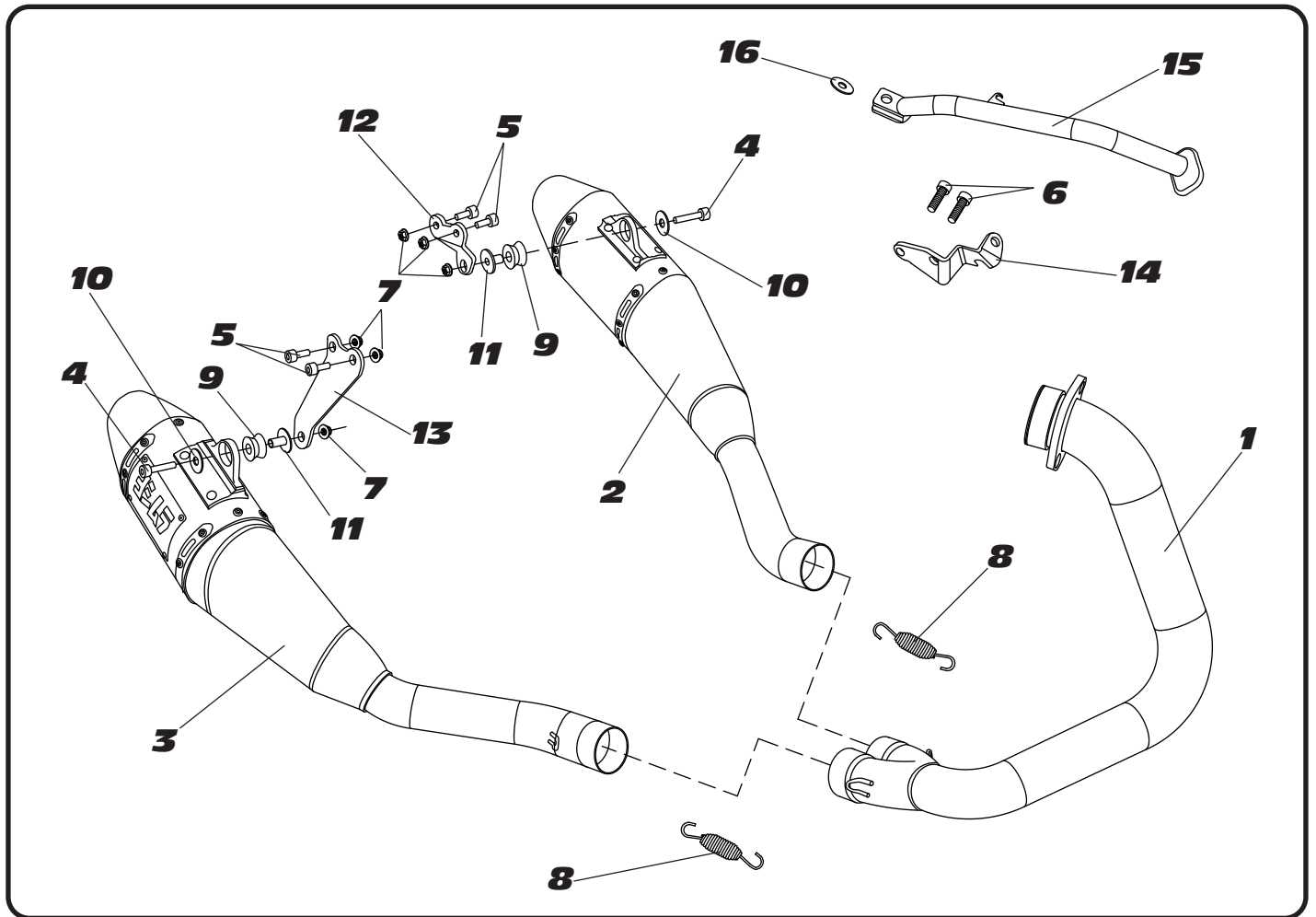


*You must know how to remove and replace your stock exhaust in order to install this product otherwise have it installed by a professional mechanic. Keep all stock parts from your existing system as some components may be necessary to install your new Yoshimura exhaust depending on the application. Read through all instructions before beginning installation. Exhaust system can be extremely hot. Let motorcycle cool down before beginning installation. Always wear hand and eye protection and take precautionary measures to avoid injury.*



NOTE: IN THE STATE OF CALIFORNIA, IT IS ILLEGAL TO MODIFY THE EMISSION CONTROL SYSTEM, WHICH INCLUDES THE CARBURETORS OF ANY VEHICLE.

## Assembly Diagram



NO.	DESCRIPTION	QTY	PART #
1	Yoshimura Header	1	11660-101
2	Yoshimura Left Muffler Assembly	1	****
3	Yoshimura Right Muffler Assembly	1	****
4	8mm X 30mm Socket Head Cap Screw	2	M8X30
5	8mm X 20mm Socket Head Cap Screw	4	M8X20
6	6mm X 12mm Socket Head Cap Screw	2	M6X12
7	8mm Flange Nut	6	8MMNUT
8	Medium Exhaust Spring	2	RACE-SPS-1
9	Rubber Grommet	2	Z1022
10	8mm Washer Large	2	8MMWASHERL
11	Aluminum Spacer	2	ALS-003
12	Left Muffler Hanger Bracket	1	11660-BRKT-L
13	Right Muffler Hanger Bracket	1	11660-BRKT-R
14	Yoshimura Kickstand Bracket	1	2166-KST-BKT
15	Yoshimura Kickstand	1	11660-KST-1
16	Derilin Washer (As needed for kickstand)	1	DWASHER
**	Wash Plug	2	347PLUG
**	Spring Puller Tool	1	ST-200
**	Kick Stand Jumper Plug	1	2166-PLUG
**	Yoshimura Vinyl Sticker	1	17029

\*\*\*\* Signature Series muffler replacement part number unavailable. Repair or replacement of Signature Series exhaust systems is only available directly through Yoshimura R&D of America, Inc.

## Removal

1. Remove the stock exhaust heatshield.
2. Loosen exhaust clamp between the header and tailpipe.
3. Remove tailpipe chassis mount bolt.
4. While securely supporting the muffler assembly, remove muffler mount bolt and carefully remove the stock muffler assembly.
5. Remove the stock header.

Note: The stock exhaust port gasket will be re-used. Inspect and replace if necessary.

6. Remove left and right passenger footpegs.
7. Support bike using a rear stand or front tire chock.
8. Remove the stock kickstand.

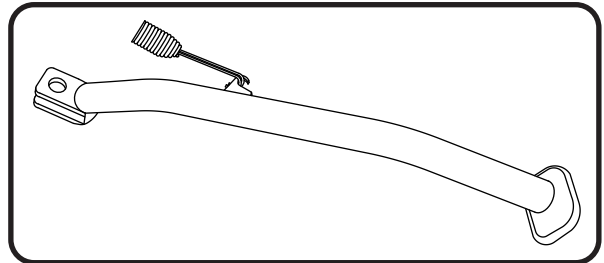
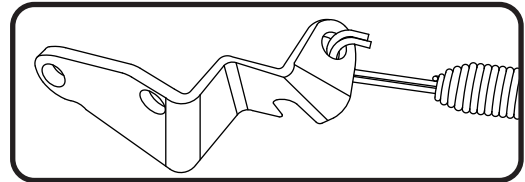
Note: Take precaution and wear gloves and safety glasses as the stock springs have a high tension.

9. Remove the rider seat.
10. Remove the two kickstand sensor bolts and follow kickstand sensor wire under rider seat and disconnect green connector plug.
11. Connect provided *2166-PLUG*, kickstand bypass plug into the stock connector.

## Installation

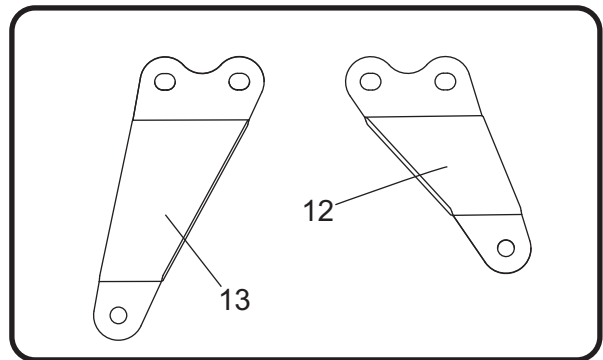
1. Install (No. 14) *2166-KST-BKT*, kickstand bracket where the stock kickstand sensor was removed using (No. 6) *M6X12*, bolts supplied in the kit. Torque to factory specification.
2. Hook the stock kickstand spring onto (No. 14) *2166-KST-BKT*, kickstand bracket. Hook the other end of the kickstand spring onto (No. 15) *11660-KST-1*, kickstand. Align kickstand hole to the kickstand mount and install the stock kickstand bolt and nut. Torque to factory specification.

Note: Supplied (No. 16) *DWASHER*, delrin washer may be used between the kickstand and kickstand mount to achieve a snug fit if necessary.

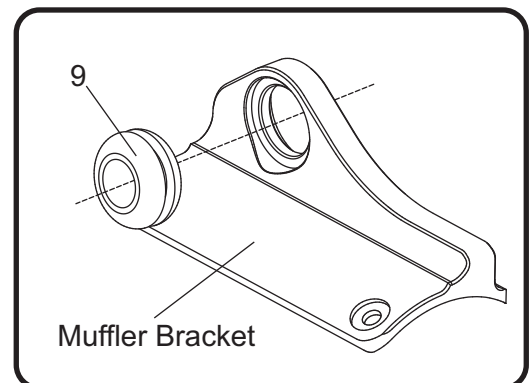


3. Install (No. 12/13) *11660-BRKT-L/R*, left and right muffler hanger brackets where passenger footpegs were removed using (No. 5) *M8X20*, bolts and (No. 7) *8MMNUT*, nuts. See diagram for proper orientation and order of hardware. Do not torque at this time.

Note: (No. 13) *11660-BRKT-R*, right muffler hanger bracket is larger.



4. Install (No. 1) *11660-101*, Yoshimura header using the stock header bolt and nut. Do not torque at this time.
5. Install (No. 9) *Z1022*, rubber grommet into left and right muffler brackets.



6. Install (No. 11) *ALS-003*, aluminum spacer into (No. 9) *Z1022*, rubber grommet as shown in the assembly diagram.
7. Install (No. 3) right muffler assembly into right header outlet.
8. Align muffler mount to (No. 13) *11660-BRKT-R*, right muffler hanger bracket and secure using (No. 4) *M8X30*, muffler bolt, (No. 10) *8MMWASHERL*, large washer, and (No. 7) *8MMNUT*, nut. See assembly diagram for proper orientation and order of hardware. Do not torque at this time.
9. Install (No. 2) left muffler assembly into left header outlet.
10. Align muffler mount to (No. 12) *11660-BRKT-L*, left muffler hanger bracket and secure using (No. 4) *M8x30*, muffler bolt, (No. 10) *8MMWASHERL*, large washer, and (No. 7) *8MMNUT*, nut. See assembly diagram for proper orientation and order of hardware. Do not torque at this time.
11. Torque (No. 4) *M8X30*, muffler mount bolt to 24 Nm (2.4 kg-m, 18 ft-lb).
12. Torque (No. 5) *M8X20*, muffler hanger bracket bolts to factory specification.
13. Torque header bolt and nut to factory specification.
14. Install (No. 8) *RACE-SPS-1*, medium exhaust springs between Yoshimura header and tailpipe.

Note: Check all critical clearances and adjust header or tailpipes as necessary. Slowly raise kickstand and check that there is sufficient clearance between the muffler sleeve and the kickstand.

15. Re-install rider seat.
16. Before starting motorcycle, check for proper clearance between new exhaust system and rear suspension (i.e. tire, swing arm, brakes, rear shock, and etc.) If any problem is found, please carefully follow through the installation steps again. If problem still persists, please call Yoshimura Tech Department at (800) 634-9166 / in CA (909) 628-4722.

17. It is recommended that the muffler and tailpipe be wiped down with rubbing alcohol to remove oil and fingerprints. This will help prevent tarnishing of the finish after the exhaust is heated up.

Note: After starting motorcycle, it is normal for new exhaust system and muffler to emit smoke until oil residue burns off.

## **NOISE EMISSION WARRANTY**

Yoshimura warrants that this exhaust system, at time of sale, meets all applicable U.S. E.P.A. Federal noise standards. This warranty extends to the first person who buys this exhaust system for purposes other than resale, and to all subsequent buyers. Warranty claims should be directed to Yoshimura R&D of America, Inc. 5420 Daniels St. Chino, CA 91710 | Tel (800) 634-9166

## **TAMPERING PROHIBITION**

Federal law prohibits any modification to this exhaust system which causes the motorcycle to exceed the Federal noise standard. Use of the motorcycle with such a modified exhaust system is also prohibited.

Acts likely to constitute tampering include removal or puncturing the muffler, baffles, header pipes, or any other component which conducts exhaust gases.

**WARNING: This product should be checked for repair or replacement if the motorcycle noise has increased significantly through use. Otherwise, the owner may become subject to penalties under state and local ordinances.**